

Viehschermaschine

Betriebsanleitung

Cattle clipper

Instruction manual

Tondeuse pour bétail

Mode d'emploi

Tosatrice

Istruzioni per l'uso

Esquiladora para ganado

Manual de instrucciones

Vee-scheermachine

Bedieningshandleiding

Kreaturklipper

Driftsvejledning

Klippmaskin för stora djur

Bruksanvisning

Klippemaskin for bufe

Instruksjonshåndbok

Trimmeri naudoilie ja hevosille

Käyttöohjeet

Máquina de tosquiar para gado

Manual de instruções

Κουρευτική μηχανή για ζώα

Οδηγίες χρήσης



Contents

1 General	20
1.1 Warranty provisions	20
1.2 Customer service.....	20
1.3 Limitation of liability	20
1.4 Copyright	20
1.5 Symbols used	21
1.6 Intended use.....	21
2 Safety	22
2.1 General.....	22
2.2 Personnel requirements	22
2.3 Dangers that can be caused by the device	23
2.4 Personal protective equipment (PPE)	24
3 Specifications	25
4 Design and function	26
4.1 Design	26
4.2 Functional description.....	26
5 Transport, packaging and storage	27
5.1 Box contents	27
5.2 Packaging.....	27
5.3 Storage	27
6 Operation	28
6.1 Requirements at the place of use.....	28
6.2 Adjusting the clipping pressure.....	28
6.3 Switching the clipper on and off.....	29
6.4 Using the clipper	29
6.5 Replacing the clipping blades.....	29
6.6 Lubrication	31
6.7 Cleaning	32
7 Troubleshooting	33
7.1 Safety information.....	33
7.2 Causes of malfunctions and their rectification	33
8 Spare parts	34
9 Disposal	35

1 General

These instructions make it possible for you to use this device safely and efficiently. Read these instructions carefully before beginning to use the device.

A basic prerequisite for working safely is respecting all stated safety instructions and handling instructions in these operating instructions.

Retain these instructions permanently. If you pass on the device to a third party, also give them these instructions.

1.1 Warranty provisions

Warranty provisions may be found in the manufacturer's General Terms and Conditions.

1.2 Customer service

Our customer service department and our authorised service centres are available for technical information.

In addition, our employees are always interested in new information and feedback resulting from usage that could be valuable in improving our products.

1.3 Limitation of liability

All statements and tips in these operating instructions were assembled by taking into consideration applicable standards and regulations, the latest technology and insights gained from our many years of experience.

The manufacturer takes no responsibility for damage resulting from:

- Ignoring the operating instructions.
- Non-intended uses of the device.
- Use by untrained personnel.
- Technical alterations.
- Use of non-original spare parts.

The actual goods delivered can deviate from the explanations and images presented here in the case of special versions, the utilisation of additional ordering options or as a result of the latest technical upgrades.

1.4 Copyright

This document is copyright-protected. Any reproduction or copying, in whole or in part, as well as the reproduction of images, even when changed, can only be carried out with the written agreement of the manufacturer.

1.5 Symbols used

DANGER

A warning at this danger level designates an imminently dangerous situation.

If the dangerous situation is not avoided, it will lead to death or serious injury.

▶ To avoid the danger, follow the instructions shown.

CAUTION

A warning at this danger level designates a possibly dangerous situation.

If the dangerous situation is not avoided, it can lead to injury.

▶ To avoid the danger, follow the instructions shown.

NOTICE

A warning at this danger level designates possible property damage.

If the dangerous situation is not avoided, it can lead to property damage.

▶ To avoid the danger, follow the instructions shown.

NOTE

▶ This advice designates additional information that simplifies operation of the device.

1.6 Intended use

This device is to be used exclusively to clip cattle and horses.

Any other use or use extending beyond the above is considered unauthorised.

CAUTION

Danger from unauthorised use!

Danger can result from unauthorised and/or other kind of use.

▶ Use the device only as intended.

▶ Limit yourself to the procedures described in these operating instructions.

Claims of any nature for damage resulting from unauthorised use will not be recognised.

Such use is entirely at the own risk of the operator.

CAUTION

Danger resulting from misuse!

In particular, the following applications of the device are prohibited:

- ▶ Use of the device on humans.
- ▶ Clipping of other types of animals, especially dangerous animals such as predators.

2 Safety

2.1 General

DANGER

Danger from not respecting the safety instructions!

Ignoring the operating instructions and safety precautions presented in these operating instructions will lead to serious injury as well as damage to the device and people.

- ▶ The warnings and instructions in these operating instructions must be observed.

Observe the following safety instructions:

- Do not leave the clipper unattended as long as the plug is plugged in.
- Store the clipper out of reach of children.

2.2 Personnel requirements

- This clipper may only be operated by persons who one can expect to carry out their work responsibly. Persons whose ability to react is undermined by, for example, drugs, alcohol or medication should not be allowed to use the device.
- The operator must be experienced in dealing with the animals to be clipped.
- Children are strictly prohibited from operating the device.

Unauthorised persons

CAUTION

Danger for and from unauthorised persons!

Unauthorised persons who do not meet the requirements described here will not be able to recognise dangers in the work area.

- ▶ Prohibit access by unauthorised persons to the location where the clipping is being performed.
- ▶ If in doubt, approach the persons and instruct them to leave the work area.
- ▶ Stop your work until unauthorised persons have left the work area.

2.3 Dangers that can be caused by the device

2.3.1 Danger from electrical current

DANGER

Mortal danger from electrical current!

Mortal danger can result from contact with current-carrying conductors or components!

- ▶ Always disconnect the power cable of the clipper from the mains by pulling the plug, not the cord.
- ▶ Before every use, check the clipper for externally visible damage. Do not operate a damaged clipper.
- ▶ Only ever insert the electrical plug of the clipper into an undamaged socket.
- ▶ Never wrap the power cable around the clipper and keep it away from hot surfaces and objects.
- ▶ Only permit repairs to the clipper to be made by authorised dealers or the factory customer service department; this applies especially to the replacement of a damaged power cord.
- ▶ Before plugging the clipper in, compare the electrical connection data (voltage and frequency) on the nameplate with that of your electric mains. These data must be identical so that no damage occurs to the device. When in doubt, ask your specialised electrical dealer.
- ▶ Do not, under any circumstances, open the housing of the clipper.
If voltage-bearing connectors are disturbed or the electrical and mechanical construction is modified, there is risk of electric shock.
- ▶ Keep moisture away from the clipper. It can lead to short circuits. If you suspect that moisture has penetrated the device, do not switch it on again and take it to a repair shop.
- ▶ Never clip wet animals.
- ▶ Only clean the clipper when dry, using a brush or the enclosed cleaning brush.
- ▶ Never submerge the clipper in water or other liquids.
- ▶ Always switch the clipper off before working on it. Pull the plug from the socket to prevent the device from being switched on inadvertently.

2.3.2 Animals

CAUTION

Danger of injury by animals!

The noise of the device can disturb animals. A kick, an attack or the body weight of the animal can lead to injuries.

- ▶ Only persons who have experience with the animals to be clipped are permitted to clip the animals.
- ▶ Secure the animal sufficiently and calm it before starting work.
- ▶ Proceed with caution when working.
- ▶ Call in a second person if necessary.

2.3.3 Clipping blade

CAUTION

Danger from moving components!

The moving clipping blade and its sharp edges can cause injuries.

- ▶ Proceed with caution when working.
- ▶ Avoid any contact with the moving clipping blades.
- ▶ Do not touch the area around the clipping blade while it is still plugged into a power source, even when the device is turned off. For work on the clipping blade/clipping head, always disconnect the electrical power first.

CAUTION

Danger of burns!

Insufficient oiling of the clipping head leads to warming. This may agitate the animals.

- ▶ When clipping, oil the clipping blades and clipping head through the lubrication opening provided for this purpose at least every 15 minutes so that the blades do not run dry.

2.4 Personal protective equipment (PPE)

CAUTION

Danger of injury through incorrect or missing protective equipment!

Personal protective equipment is required when working, in order to minimise the possibility of endangering health.

- ▶ Always wear the protective equipment required for the current task when performing work.



Slip-resistant shoes to protect against slipping on slippery surfaces.



Protective goggles to protect eyes from flying parts.



Close-fitting protective clothing with low tensile strength, tight sleeves and no protruding parts. The main purpose of this is to protect against clothing being caught by moving device parts.

Do not wear rings, necklaces or other jewellery.



Work gloves to protect against injury.



The acoustic emission while operating the device is typically 70 dB(A). We recommend that you always wear ear protection when working with the device.

3 Specifications

Handle	Ø 54 mm	
Length	301 mm	
Weight (without cable)	1.24 kg	
Voltage	}	See nameplate on the device
Maximum current		
Frequency		
Power drawn		
Speed		
Noise emission	70 dB	
Ambient temperature range	0 - 40 °C	
Maximum relative humidity	10 - 90%	

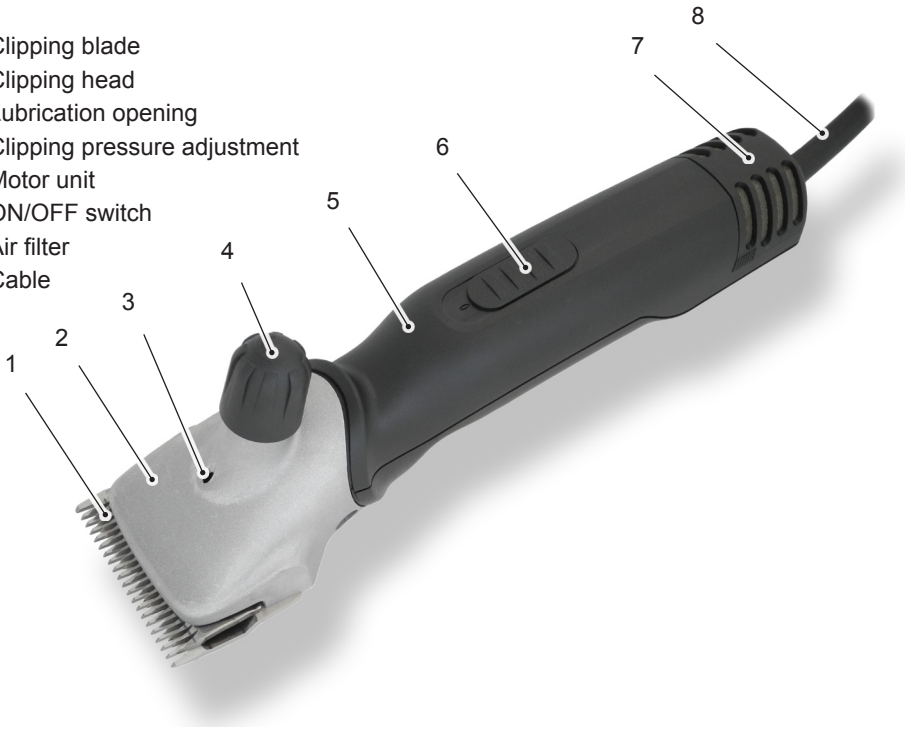
We reserve the right to make technical changes and improvements without notice.

4 Design and function

4.1 Design

Fig. 1

- 1 Clipping blade
- 2 Clipping head
- 3 Lubrication opening
- 4 Clipping pressure adjustment
- 5 Motor unit
- 6 ON/OFF switch
- 7 Air filter
- 8 Cable



4.2 Functional description

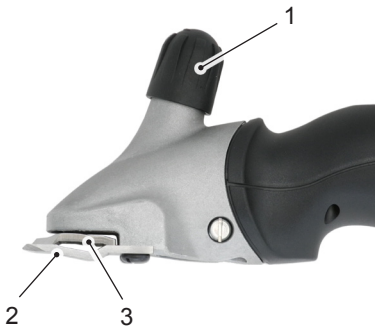


Fig. 2

The clipper is used for clipping cattle and horses. Two comb-like blades serve as cutting tools. The lower blade (2), which is closest to the animal's skin, is fixed and attached to the housing. The upper blade (3) moves back and forth against the lower blade. The upper blade is set in motion with the help of a swivelling lever. The clipping pressure between the blades is adjusted via the adjustable head (1).

5 Transport, packaging and storage

5.1 Box contents

- 1 clipper
- 1 pair of clipping blades
- 1 special screwdriver
- 1 bottle of special lubricating oil
- 1 cleaning brush
- 1 case for transport and storage
- 1 operating instructions

NOTE

- ▶ Check to ensure the completeness of the contents and that there is no damage. Please report incomplete package contents or any apparent damage immediately to your supplier/dealer.

5.2 Packaging

Only environmentally friendly materials are used for packaging.



The return of the packaging saves raw materials and reduces the volume of waste. Dispose of packaging materials that are no longer needed in accordance with locally applicable regulations.

5.3 Storage

Store the clipper and its accessories under the following conditions:

- Do not store out of doors.
- Store in a dry and dust-free area.
- Protect from direct sunlight.
- Avoid mechanical shock and vibration.
- Storage temperature: 0 to 40 °C.
- Relative humidity: max. 90%.
- If stored for longer than three months, check the general condition of all parts regularly.
- When not using the clipper, store it in the case making sure it is well cleaned, lubricated and that the clipping elements are not spring loaded (risk of corrosion).

6 Operation

6.1 Requirements at the place of use

- Observe the operating instructions (see chapter **Specifications**).
- Outdoor electrical sockets must be fitted with a residual current device (RCD).
- The work place must have adequate lighting.
- The electrical socket must be easily accessible so that the device can be quickly disconnected from the mains.
- The cable must not be taut or kinked.
- Make sure there is adequate ventilation.

6.2 Adjusting the clipping pressure



Fig. 3

Set the clipping pressure as follows before you start clipping:

- ◆ Turn the adjusting knob in the direction of the arrow until you feel resistance.
- ◆ Turn the knob another 1/4 turn in the direction of the arrow.
- ◆ If the clipping quality deteriorates, increase the clipping pressure by turning the adjusting knob another 1/4 turn in the direction of the arrow. If this does not produce the desired result, the blades must be replaced or sharpened.

NOTE

- ▶ If the clipping pressure is too low, hair can gather between the clipping blades. This results in a poor clipping quality. In this case, clean the clipping blades as described in **chapter 6.7**.

6.3 Switching the clipper on and off.



Fig. 4

- ◆ To switch the clipper on, slide the ON/OFF switch to the position **1**.
- ◆ To switch the clipper off, slide the ON/OFF switch to the position **0** (see Fig. 4).

6.4 Using the clipper

- ◆ Approach the animal from the front.
- ◆ Secure the animal to be clipped and calm it down.
- ◆ Plug the power plug into the socket.
- ◆ Switch the clipper on while you are in the visual range of the animal.
- ◆ Observe the animal's behaviour while clipping.
- ◆ Switch the clipper off after you have finished clipping and pull the plug from the socket.

6.5 Replacing the clipping blades



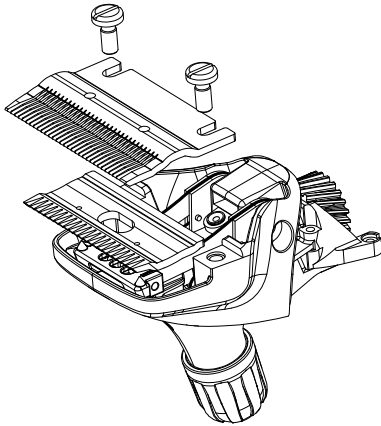
Fig. 5

- ◆ Switch the clipper off by sliding the switch to the position "0".
- ◆ Pull the plug from the socket.
- ◆ Turn the adjusting knob in the direction of the arrow until the resistance decreases.
- ◆ Place the clipper with the comb plate screws facing up onto a flat surface.



- ◆ Loosen the comb plate screws and remove the clipping blade.

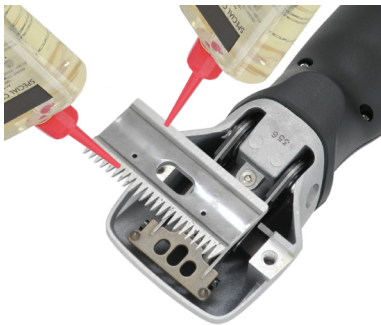
Fig. 6



NOTE

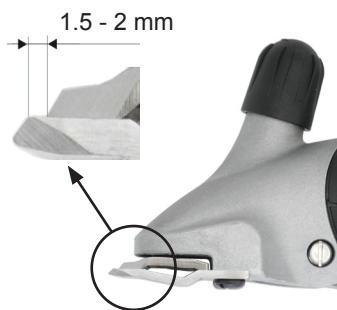
- ▶ Make sure the clipping blades are positioned correctly when installing the new or sharpened blades.

Fig. 7



- ◆ Place the new upper blade onto the guiding tips of the swivelling lever.
- ◆ Apply a few drops of oil on the polished surfaces of the upper blade.

Fig. 8



- ◆ Install the new lower blade. Align it so that the polished surface of the lower blade protrudes approx. 1.5 - 2 mm beyond the tips of the upper blade.
- ◆ Tighten the comb plate screws.

Fig. 9

NOTE

- ▶ Work only with sharp clipping blades and replace dull blades and blades with missing teeth. Proper sharpening of clipping blades is only possible by an expert using specialised equipment. When faced with the need to sharpen the blades, contact your service centre.

6.6 Lubrication



To obtain a well-clipped animal and to increase the life of the device including the clipping head, it is necessary to apply a thin coat of oil between the upper and lower blades. All other moving parts of the clipping head must also be lubricated.

- ◆ Apply some drops of oil onto the clipping blades and into the lubrication opening.

Fig. 10

NOTICE

Possible damage to the clipper!

Insufficient oiling of the clipping head will lead to warming and will shorten the life of the clipper and its blades.

- ▶ Oil the clipping blades adequately during the clipping session, at least once every 15 minutes, so that they do not run dry.
- ▶ Use only the special oil supplied or a paraffin oil meeting the ISO VG 15 specification.

NOTE

- ▶ The supplied oil is free of poisonous substances and will not cause irritations on either skin or mucous membranes. After 21 days, it will have degraded to about 20% (CELL-33-T-82).

- Oil the blades before, during and after every use.
- Oil the blades at the latest when the blades leave streaks or slow down.
- Apply several drops of oil on the front and on the sides of the clipping blades (see Fig. 10).
- Wipe excess oil off with a soft, dry cloth.
- Lubricating sprays do not contain enough oil for good lubrication, but are suitable for cooling the clipping blades.
- Immediately replace damaged or notched blades in order to avoid injuries.

6.7 Cleaning

Housing of the clipper

- ◆ Clean the housing of the clipper with a dry cloth.

Clipping blade and clipping head

- ◆ Clean the clipping blade and the clipping head with the brush provided.
- ◆ Lubricate the clipping blades as described in **chapter 6.6**.

Air filter



- ◆ Remove the air filter from the clipper.
- ◆ Clean the air filter with a dry brush or a nailbrush. Make sure no foreign objects get into the device while cleaning it.
- ◆ Slide the air filter back on the clipper.

Fig. 11

NOTICE

Possible damage to the clipper!

Operating the clipper without the air filter can damage the clipper.

- ▶ Only use the clipper with a properly fitted air filter.

7 Troubleshooting

7.1 Safety information

 **DANGER**

Mortal danger from electrical current!

Mortal danger can result from contact with current-carrying conductors or components!

- ▶ Pull the plug from the socket before you start troubleshooting.
- ▶ Repairs to electrical devices must only be carried out by the factory service department or specialists who have been trained by the manufacturer.

7.2 Causes of malfunctions and their rectification

Malfunction	Possible cause	Corrective measure
Upper blades moving too little.	Leaf springs have broken.	Notify customer service.
	Square end of eccentric shaft or eccentric shaft worn (insufficient lubrication).	
Upper blade does not move.	Defective gear.	Notify customer service.
Adjusting knob is jammed.	Thread is dirty or rusty.	Notify customer service.
	Pressure spring is jammed.	
Leaf springs in the head mount are too loose.	Comb plate screws are loose.	Tighten the comb plate screws.
Play between swivelling lever and leaf spring.	Leaf springs and/or cylinder head screws are worn.	Notify customer service.
Swivelling lever is difficult to move up and down.	Centring sleeve lost.	Notify customer service.
Motor not running.	Burnt smell emanating from the motor housing; motor burnt.	Notify customer service.
	Motor and/or electronics defective.	Notify customer service.
Motor runs very slowly.	Clipping blades not lubricated adequately.	Lubricate the clipping blades.
	Motor and/or electronics defective.	Notify customer service.

Malfunction	Possible cause	Corrective measure
Clipper is cutting poorly or not at all.	Cutting blades are dull.	Notify customer service.
	Clipping blades are not properly sharpened.	
	Clipping blades are not lubricated.	Lubricate the clipping blades every 15 minutes.
	Clipping pressure too low.	Increase the clipping pressure by turning the adjusting knob as described in chapter 6.2 .
	Leaf springs have broken.	Notify customer service.
	The animal's hair is too wet.	Only clip dry hair.
	Hairs are stuck between upper and lower blade.	Remove the clipping blades; clean, lubricate and install them again; set the clipping pressure.
	Clipping head has too much play.	Notify customer service.
	Clipping blades are not properly aligned.	Align the clipping blades correctly, see Fig. 9 .
Motor unit heats up.	Air filter clogged.	Clean or replace the air filter.
	Clipping pressure too high.	Reduce the clipping pressure.
	Defective bearing.	Notify customer service.

8 Spare parts

See spare parts list at the end of these operating instructions.

CAUTION

Incorrect or defective spare parts can lead to damage, malfunction and complete failure and can jeopardise safety.

- Use only original spare parts from the manufacturer. Obtain spare parts from an authorised dealer or directly from the manufacturer.

NOTE

- If non-approved parts are used, all warranty, service, compensation and liability claims against the manufacturer or its employees, dealers and representatives will be forfeited.

Item No.	Description	Quantity	Item No.	Description	Quantity
	Clipper		32	Upper housing cover	1
1	Cattle clipping head, complete	1	33	Switch detent	1
2	Adjusting knob, cattle	1	34	Motor, complete	1
3	Spacer bolt	1	35	Front bearing flange	1
4	Adjusting knob spindle	1	36	Stator	1
5	PH screw M5x14	2	37	Ball bearing 8-19-6	2
6	Cattle clipping head housing	1	38	Lock washer	1
7	Pressure spring	1	39	Rotor, complete	1
8	Pressure clamp	1	40	Play compensation disc 626	1
9	Square end of eccentric shaft	1	41	Rear bearing flange, complete	1
10	Cylinder screw with shank M3x6	2	42	Carbon spring, pair	1
11	Leaf spring	2	43	PH screw M4x10	1
12	Swivelling lever	1	44	Impeller	1
13	Comb plate screw Cattle/horse	2	45	Carbon brush 230 V	1
14	Centring sleeve	2	46	Motor bracket	4
15	Lock washer, size 3.73	1	47	Bottom housing cover	1
16	Lock washer, size 6	1	48	Cable clamps	1
17	Eccentric shaft, cattle	1	49	Antikink sleeve	1
18	Eccentric bearing, complete	1	50	Electronics	1
19	Gear Z22, cattle	1	51	Contact wire	1
30	Air filter	1	52	PT screw KA30x16	11
31	Slide switch	1	53	Cable	1

9 Disposal



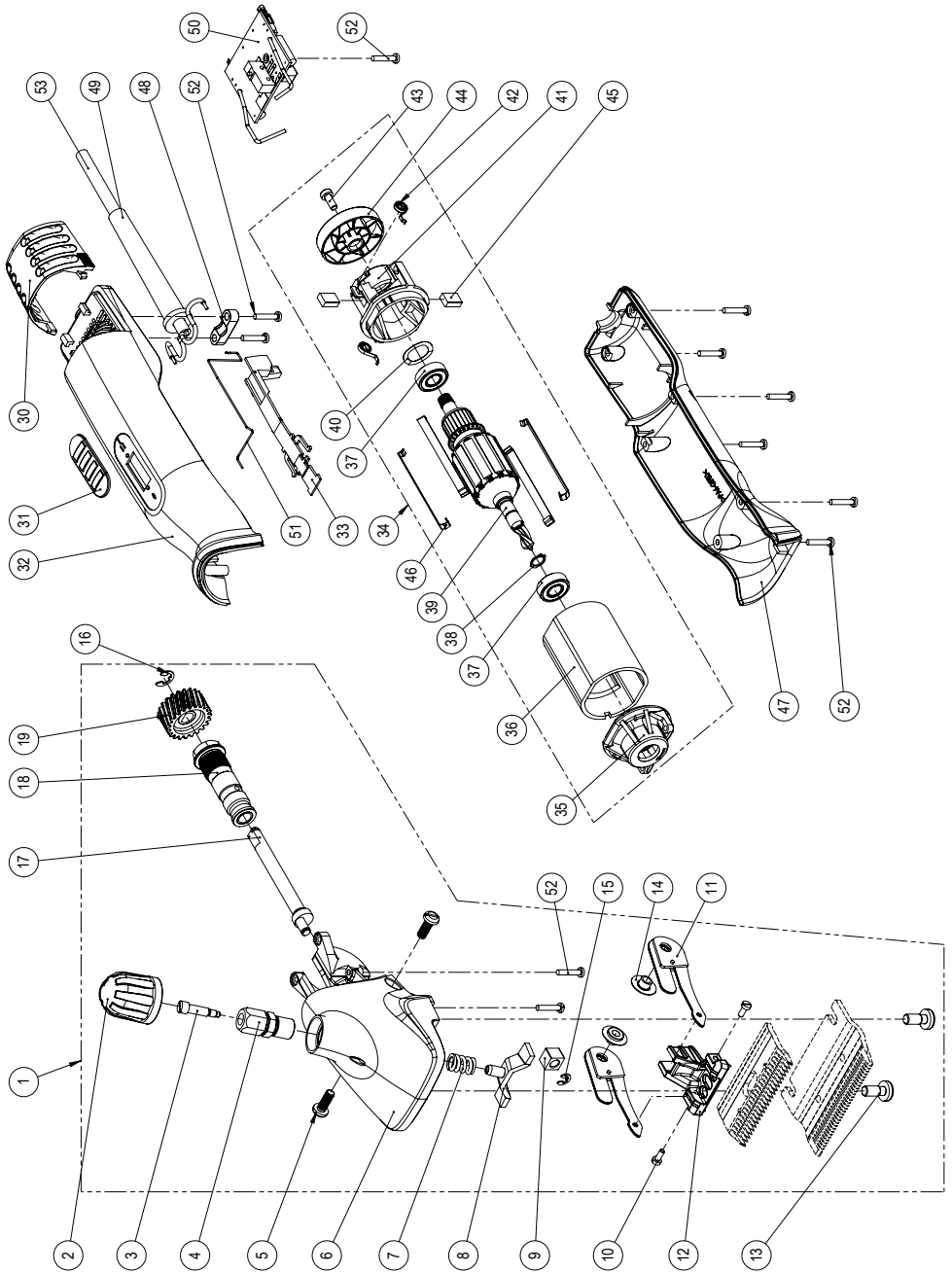
NOTICE

Environmental damage if improperly disposed of!

- Special waste handling is required for electrical waste, lubricants and other tools. These can only be disposed of through qualified specialists!

NOTE

- Dispose of the clipper at a service centre or nearby electrical workshop.



Änderungen und Verbesserungen im Sinne des technischen Fortschrittes vorbehalten.
We reserve the right to make technical changes and improvements without notice.
Nous nous réservons le droit de procéder à des changements et améliorations techniques sans avis préalable.

Ci si riserva il diritto di apportare modifiche e migliori utili al progresso tecnico.

Nos reservamos el derecho a realizar modificaciones y mejoras técnicas sin previo aviso.

Wijzigingen en verbeteringen op basis van voortschrijdende technische ontwikkelingen voorbehouden.

Med forbehold for ændringer og forbedringer i overensstemmelse med det tekniske fremskridt.

Vi förbehåller oss rätten att göra ändringar avseende tekniska förbättringar.

Vi tar forbehold om endringer og utbedringer som følge av teknisk utvikling.

Oikeus muutoksiin ja teknisiin parannuksiin pidätetään.

Sujeito a mudanças e melhoramentos no sentido do progresso técnico.

Διατηρείται το δικαίωμα αλλαγών και βελτιώσεων στα πλαίσια τεχνικής προόδου.

Dieses Gerät entspricht folgenden

Richtlinien:

2006/95/EG, inkl. Anhänge

2004/108/EG, inkl. Anhänge

93/68/EWG

92/31/EWG

This piece of equipment complies with
directive:

2006/95/EC, incl. amendments

2004/108/EC, incl. amendments

93/68/EEC

92/31/EEC

Cet appareil se conforme aux directives
suivantes:

2006/95/CE et annexes

2004/108/EG et annexes

93/68/CEE

92/31/CEE

Questo apparecchio è conforme alle
seguenti direttive:

2006/95/CE, compr. allegati

2004/108/CE, compr. allegati

93/68/CEE

92/31/CE

Este aparato cumple con las siguientes
directivas:

2006/95/CE, incl. anexos

2004/108/CE, incl. anexos

93/68/CEE

92/31/CEE

Dit apparaat voldoet aan de volgende
richtlijnen:

2006/95/EG, incl. bijlagen

2004/108/EG, incl. bijlagen

93/68/EWG

92/31/EWG

Dette produkt er i overensstemmelse med

følgende direktiver:

2006/95/EF, inkl. bilag

2004/108/EF, inkl. bilag

93/68/EØF

92/31/EØF

Apparaten uppfyller följande direktiv:

2006/95/EG, inkl. bilagor

2004/108/EG, inkl. bilagor

93/68/EEG

92/31/EEG

Dette apparatet er godkjent i henhold til
følgende direktiver:

2006/95/EF, inkl. vedlegg

2004/108/EF, inkl. vedlegg

93/68/EU

92/31/EU

Tämä laite on seuraavien direktiivien
mukainen:

2006/95/EY, mukaan lukien liitteet

2004/108/EY, mukaan lukien liitteet

93/68/ETY

92/31/ETY

Este aparelho está em conformidade com
as seguintes diretrizes:

2006/95/CE, incl. anexos

2004/108/CE, incl. anexos

93/68/CEE

92/31/CEE

Αυτή η συσκευή συμμορφώνεται με τις
ακόλουθες οδηγίες:

2006/95/EK, συμπ. παραρτημάτων

2004/108/EK, συμπ. παραρτημάτων

93/68/EOK

92/31/EOK



Garantie / Warranty

Artikel	Artikel	
Item	Artikel	
Article	Artikel	
Articolo	Artikkel	
Artículo	Tuote	
Artico	Προϊόν	

Serien Nr.	Serie nr.	
Serial no.	Serie Nr.	
No. de série	Serienr.	
N. di serie	Serie nummer	
No. de serie	Sarjanro	
No. de série	Αρ. σειράς	

Kaufdatum	Datum van aankoop	
Date of purchase	Købsdato	
Date d'achat	Köpdatum	
Data di acquisto	Kjøpsdato	
Fecha de compra	Ostopäivä	
Data de compra	Ημερομηνία αγοράς	

Stempel und Unterschrift	
Stamp and signature	
Cachet et signature	
Timbro e firma	
Sello y firma	
Carimbo e assinatura	
Stempel en handtekening	
Stempel og underskrift	
Stämpel och namnteckning	
Stempel og underskrift fra forretningen	
Myyjän leima ja allekirjoitus	
Σφραγίδα και υπογραφή	